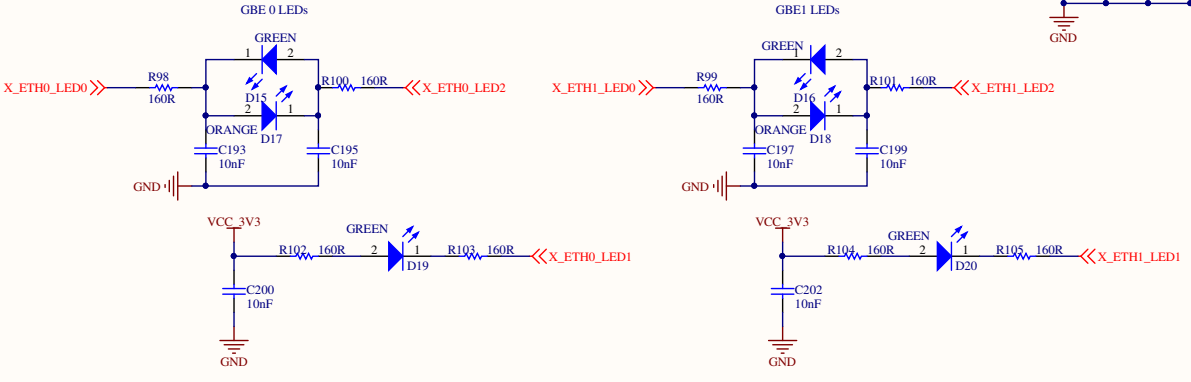
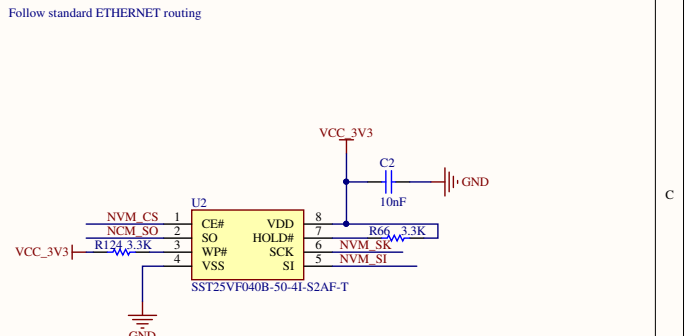
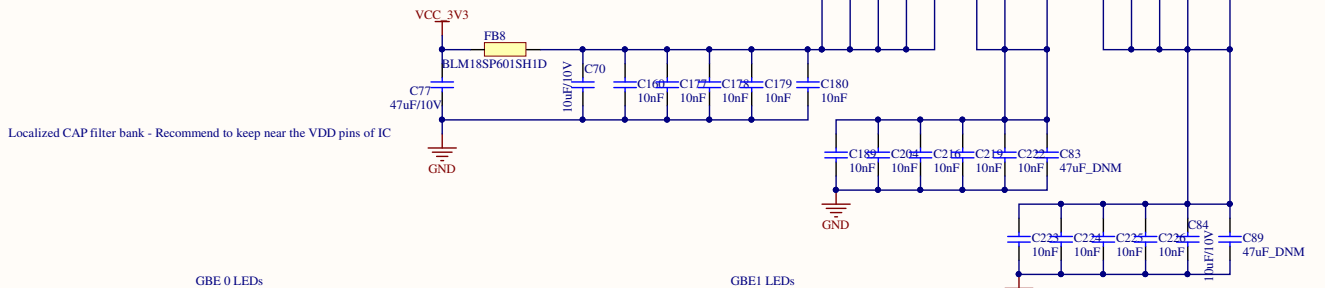
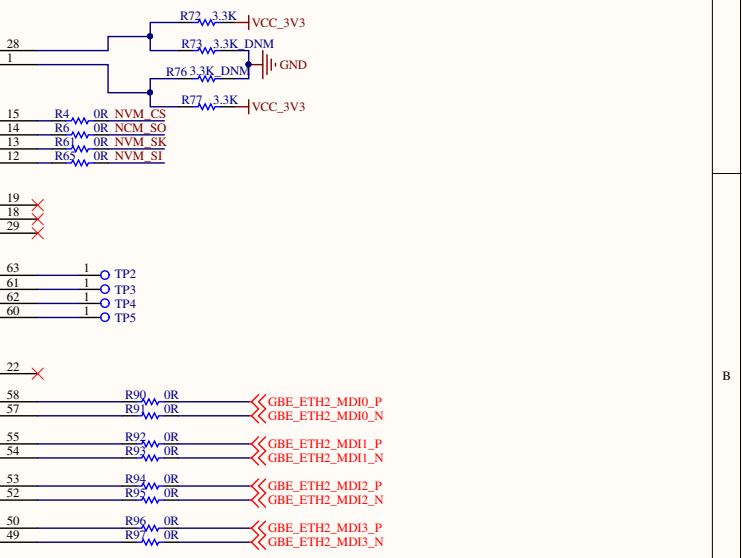
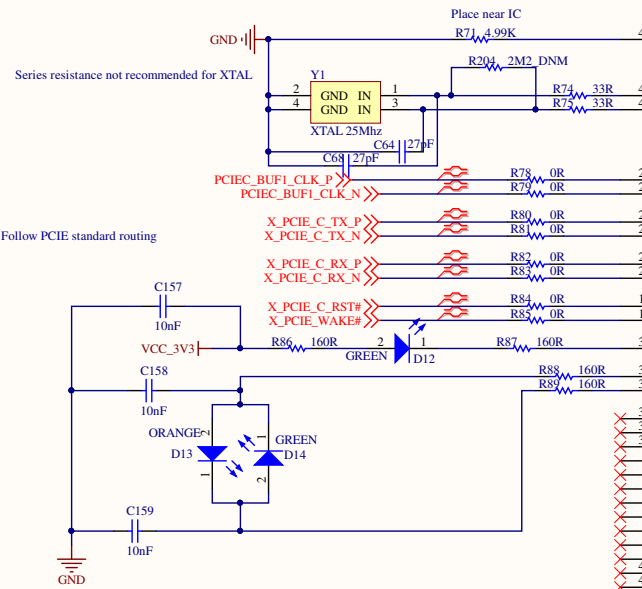
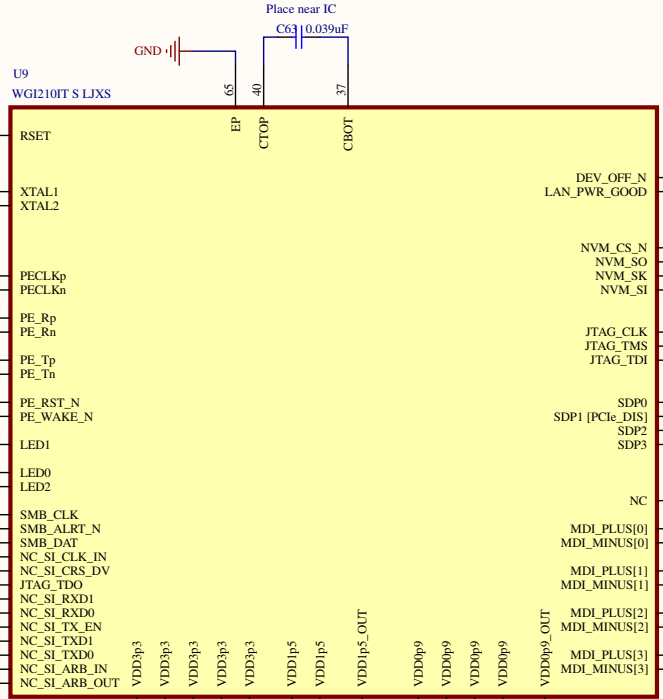


PCIE TO GBE Controller



PHYTEC		PHYTEC Embedded Pvt.Ltd., HSR Layout, Bangalore, India.	
AIRBUS_SCM_DIGITAL_CARD_IP1		Department: Design and Development	
23-02-2023	PCB No: PICB-87-1P1	Rev:1P1	Sheet: 7 of 24