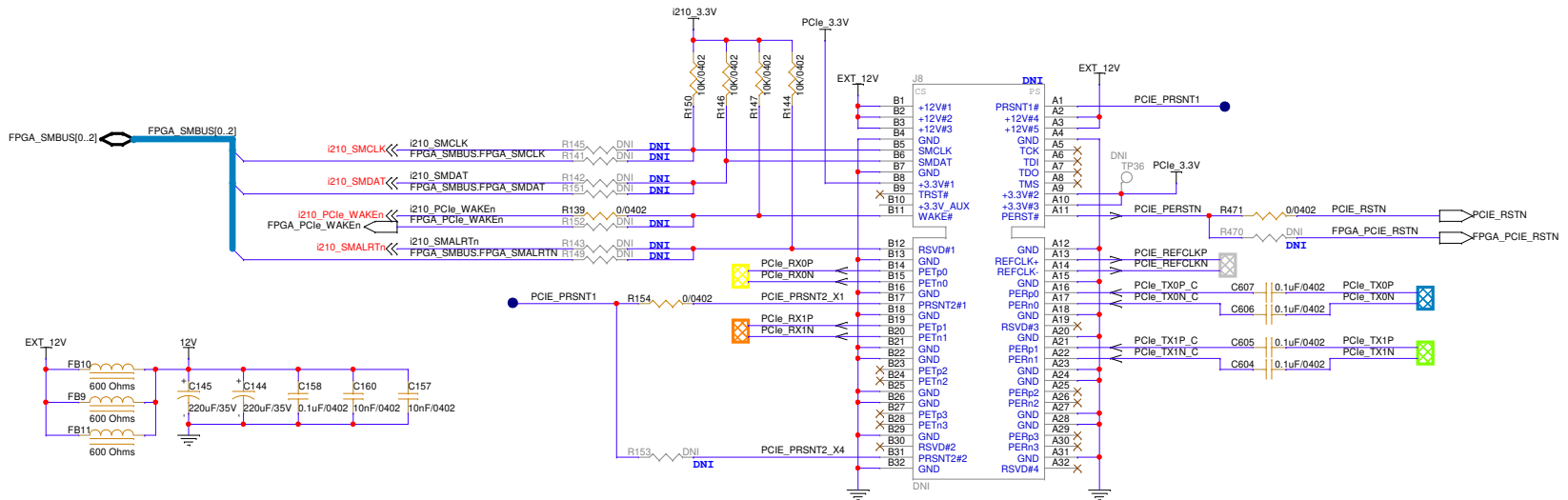
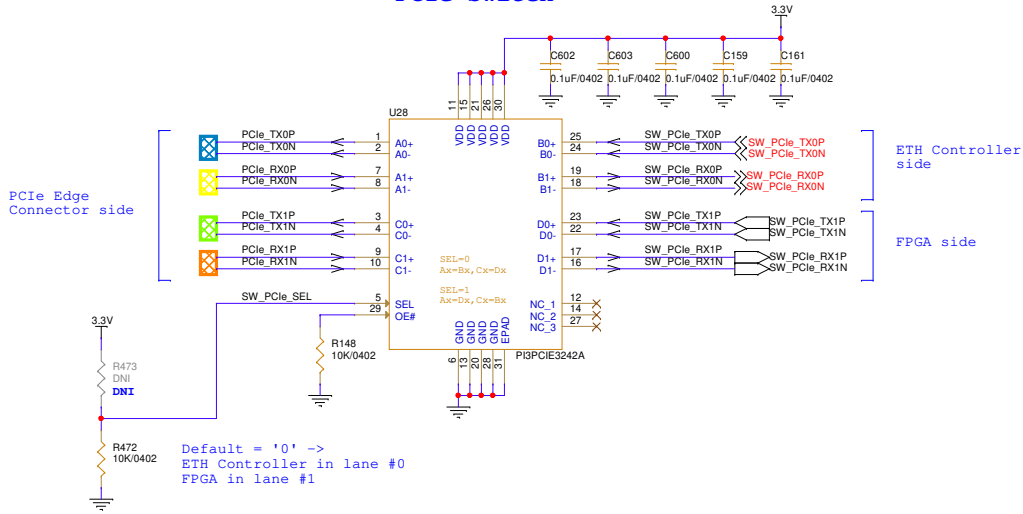


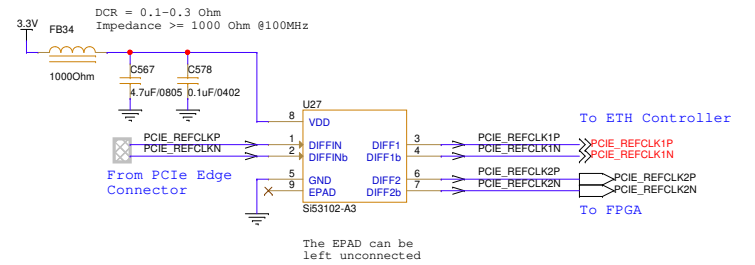
PCIe Edge Connector x4



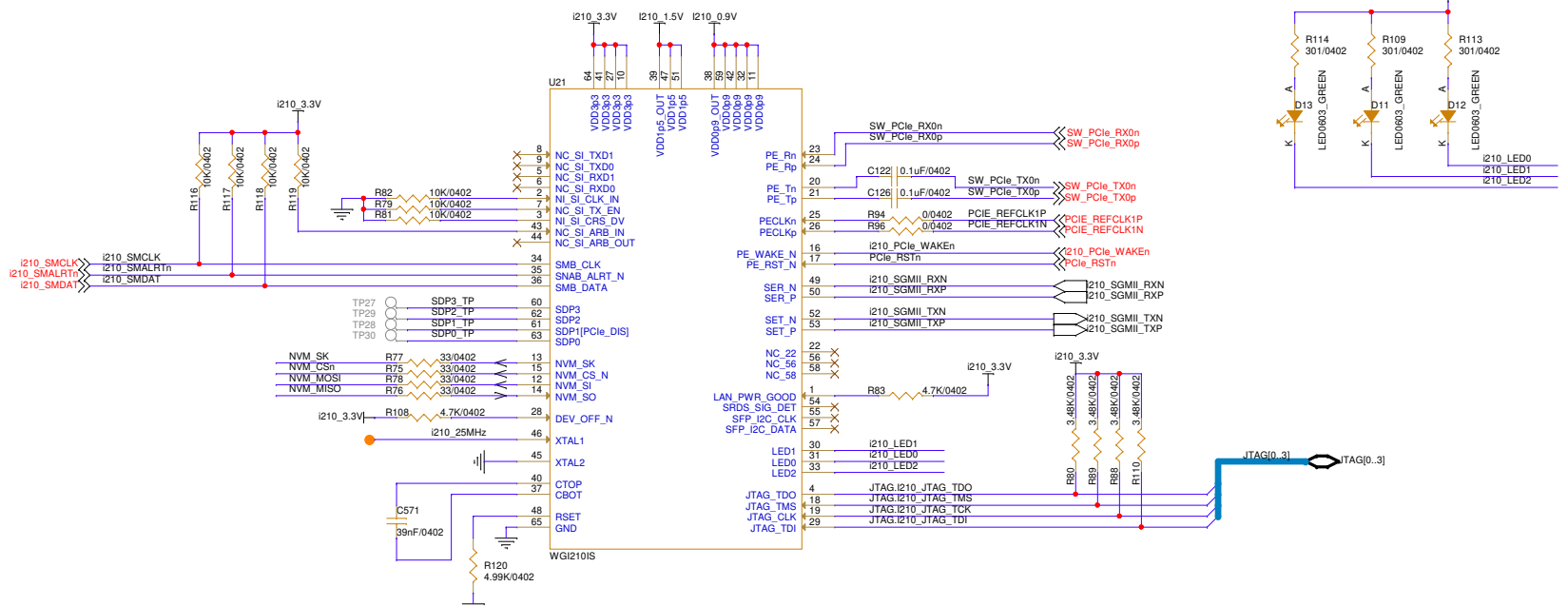
PCIe Switch



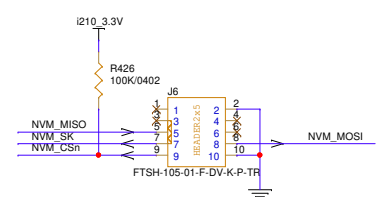
PCIe Clock Buffer



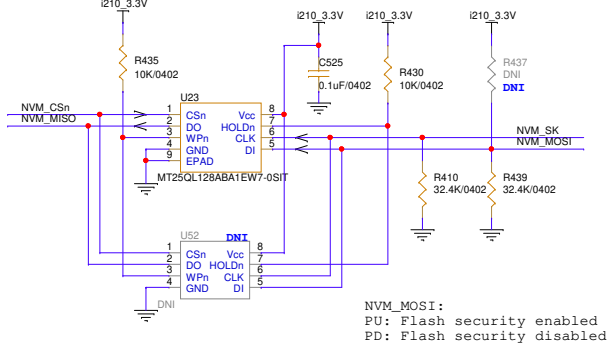
Ethernet Controller



i210 SPI Flash AARDVARK I/F



SPI Flash



NVM_MOSI:
 PU: Flash security enabled
 PD: Flash security disabled

