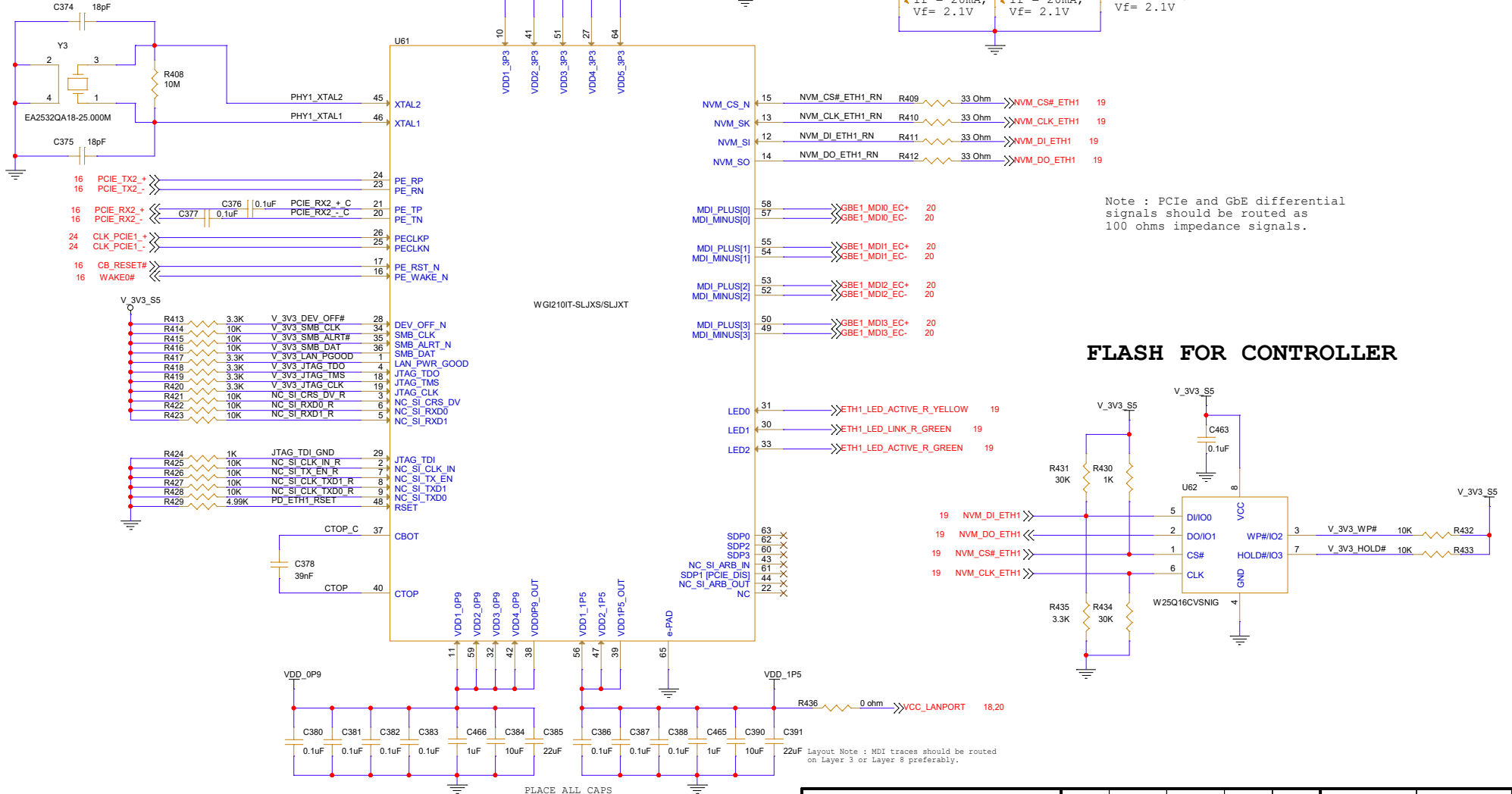


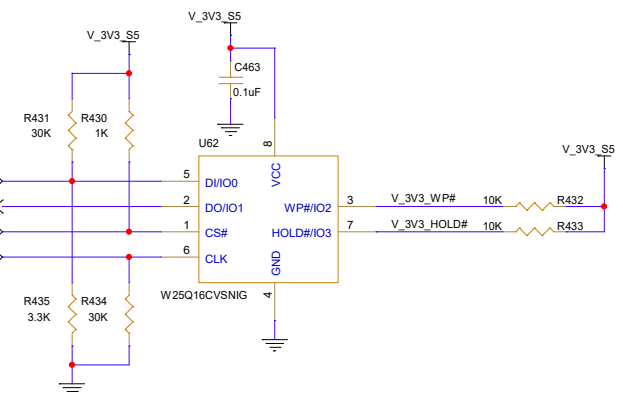
GIGABIT ETHERNET-1 CONTROLLER

Note : Refer datasheet guide lines for crystal routing



Note : PCIe and GbE differential signals should be routed as 100 ohms impedance signals.

FLASH FOR CONTROLLER



Layout Note : MDI traces should be routed on Layer 3 or Layer 8 preferably.

PLACE ALL CAPS CLOSE TO IC

| | | | | | | | |
|---|-----------|------|------|------|--|---------------|---------------|
| TITLE | | | | | | CHKD/DATE | APRD/DATE |
| PROCESSOR BOARD | | | | | | PG/04-01-2022 | RK/04-01-2022 |
| DOC CODE | NUMBER | | | | | SHEET | SHEET SIZE |
| LARSEN & TOUBRO LIMITED DEFENCE, BANGALORE | | | | | | 19 OF 41 | A3 |
| ISSUE | CP/CN No. | DATE | CHKD | APRD | | | |

FORMA-NO-03-REV-NO-03