

Timing Diagrams (continued)

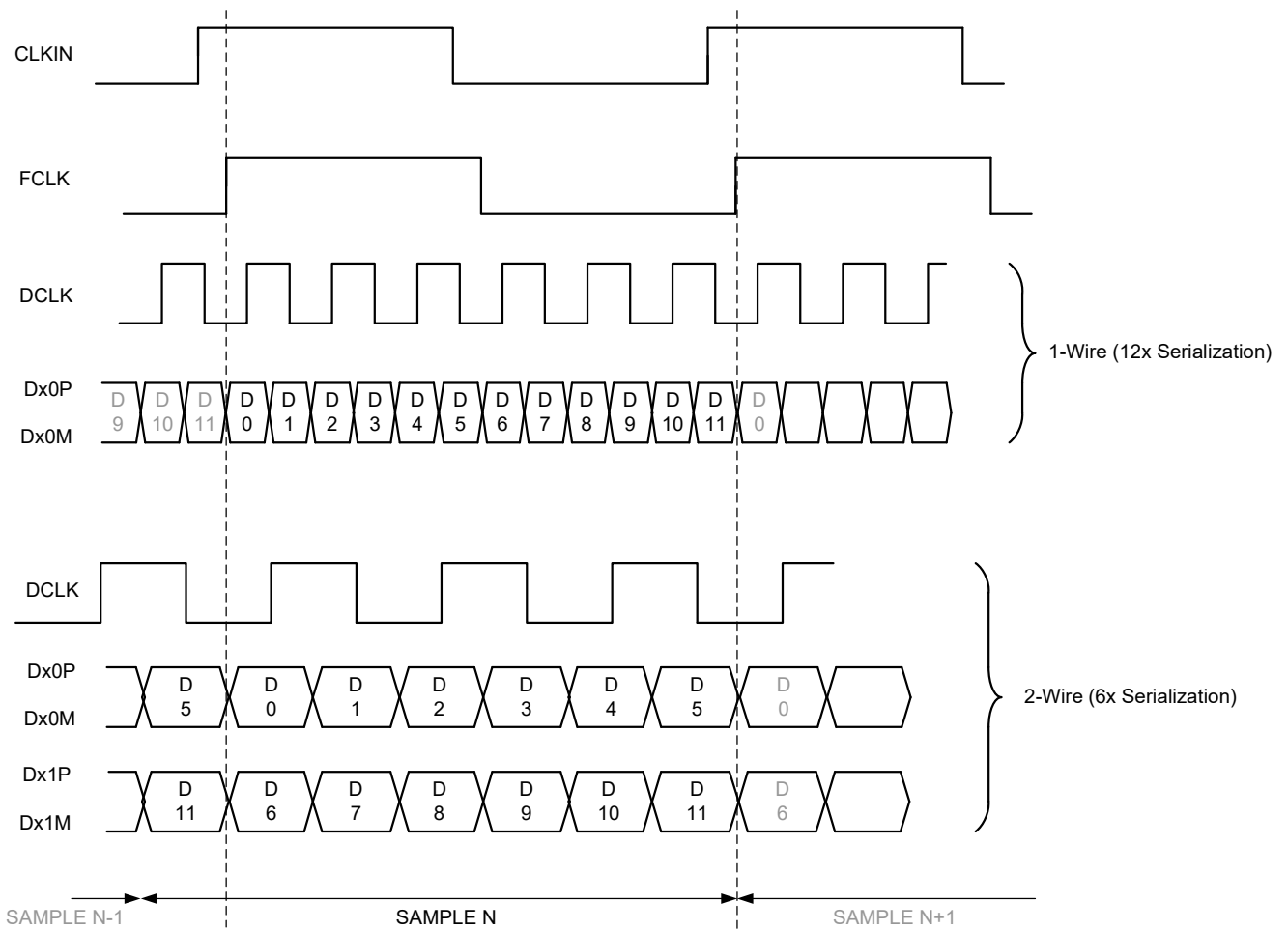


Figure 130. Output Timing Diagram

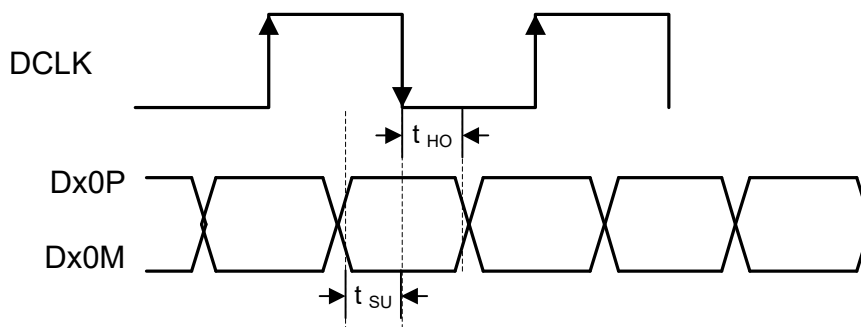


Figure 131. Setup and Hold Time