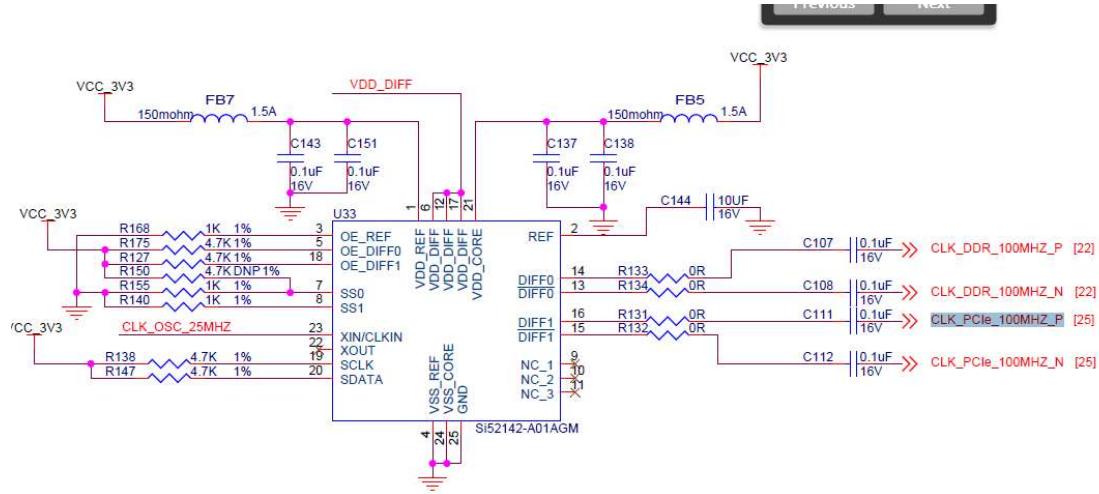
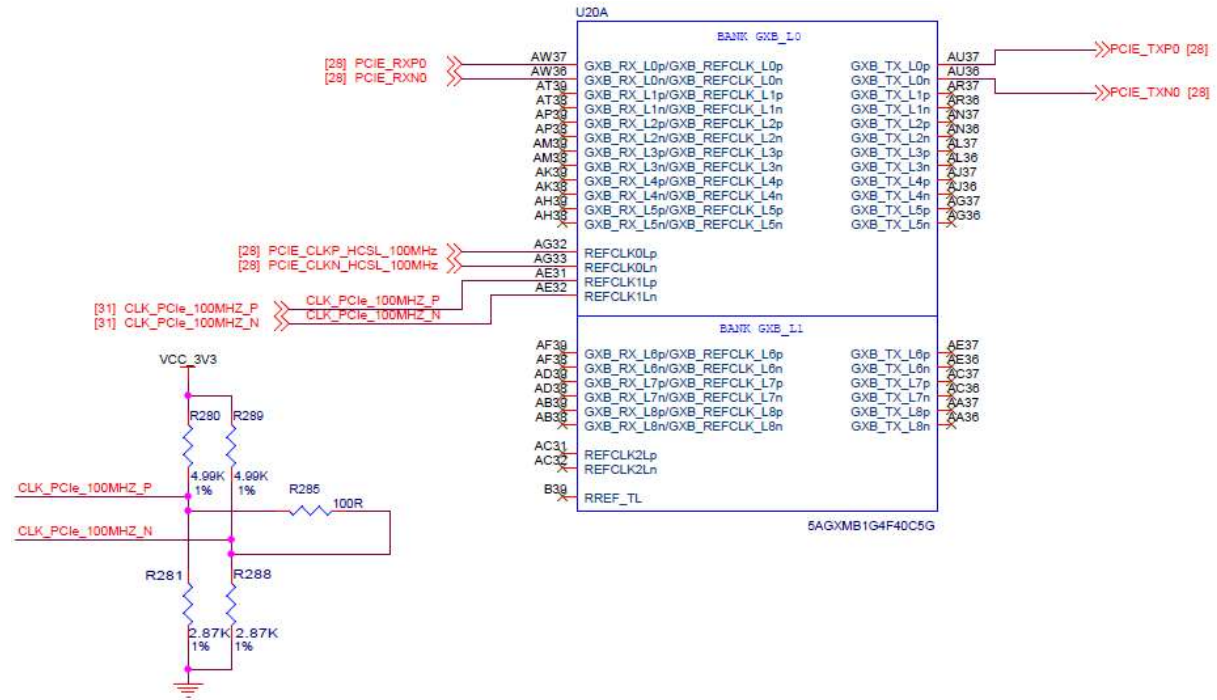


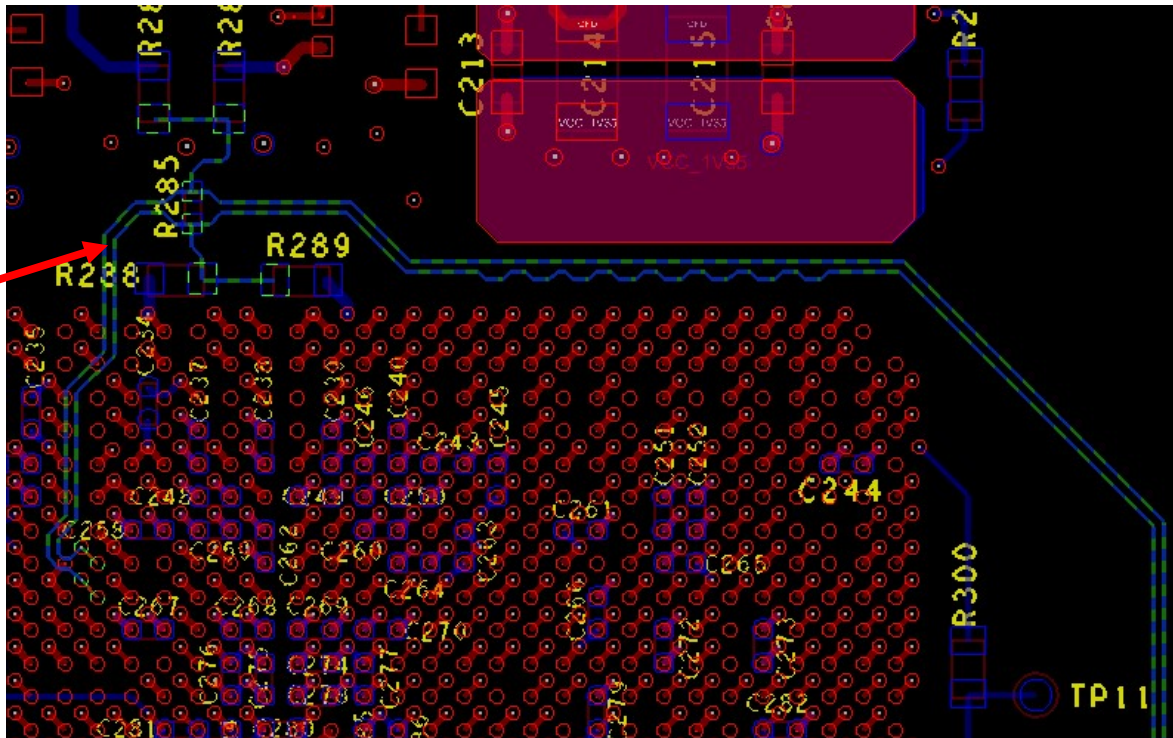
On-Board PCIe clock source.



PCIe Section



On board PCIe Clock layout (Runs ~4 Inch)



External HCSSL Clock

