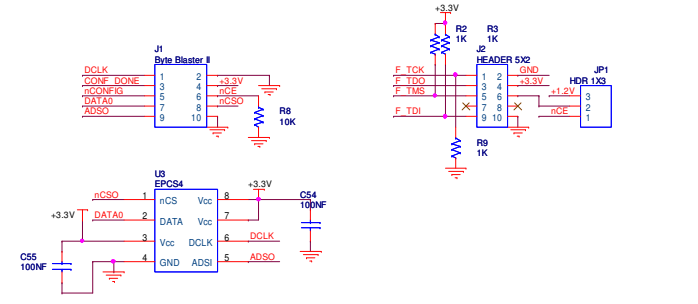
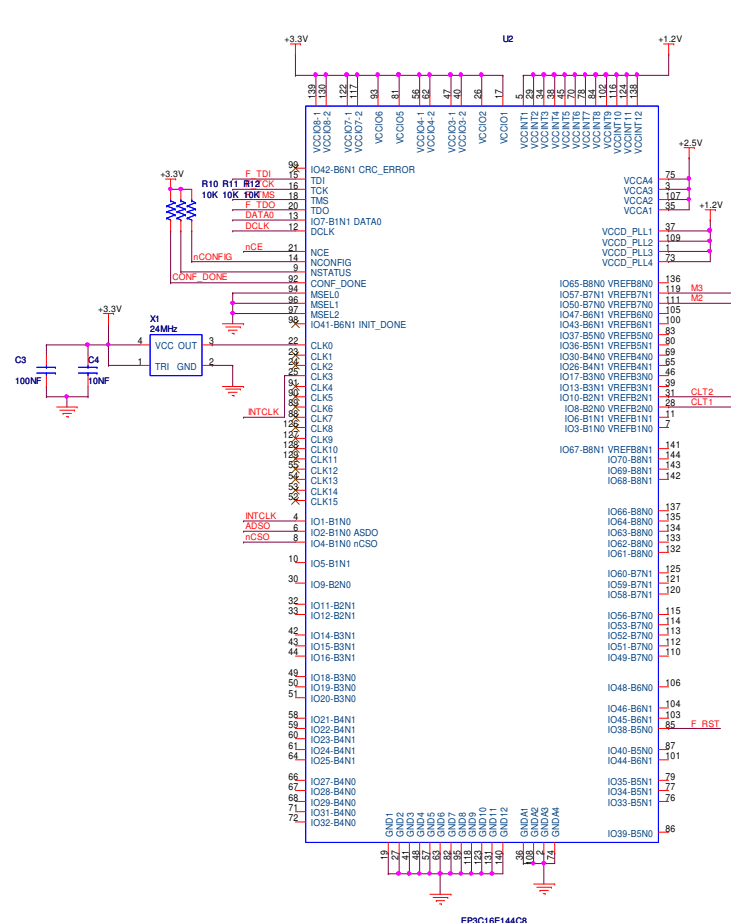
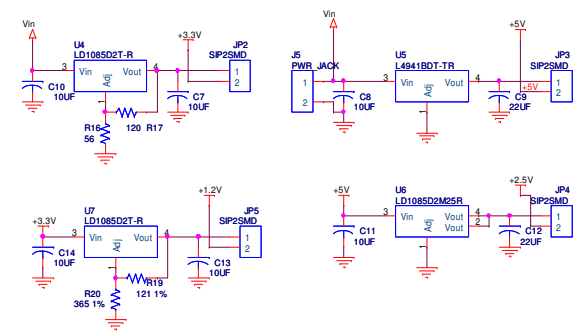


Clock & JTAG

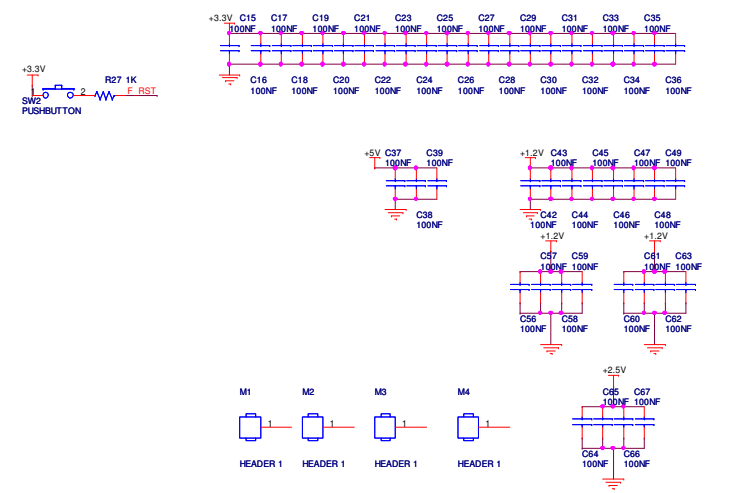


Power Supply



Avoided the Jumper, need to mount the resistor in as per the "state" required.

Decaps



File	<Title>		Rev
Size	Document Number		
C	<Doc>		<Rev Code>
Date:	Wednesday, February 24, 2010	Sheet	1 of 1