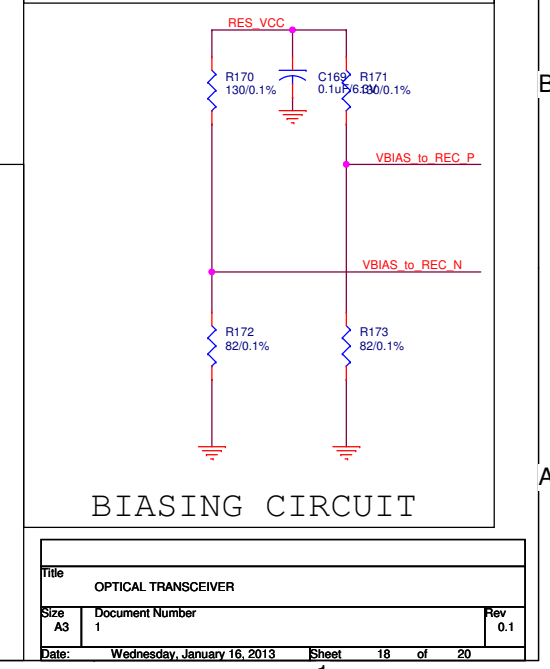
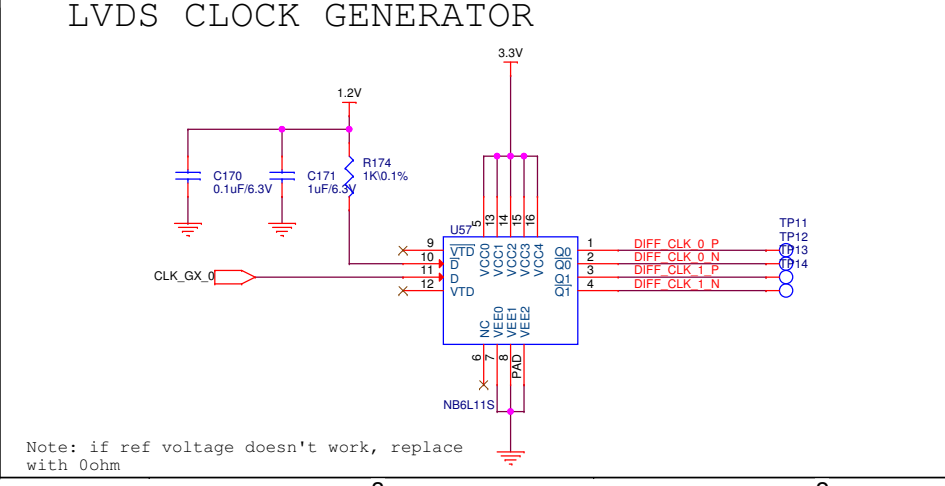
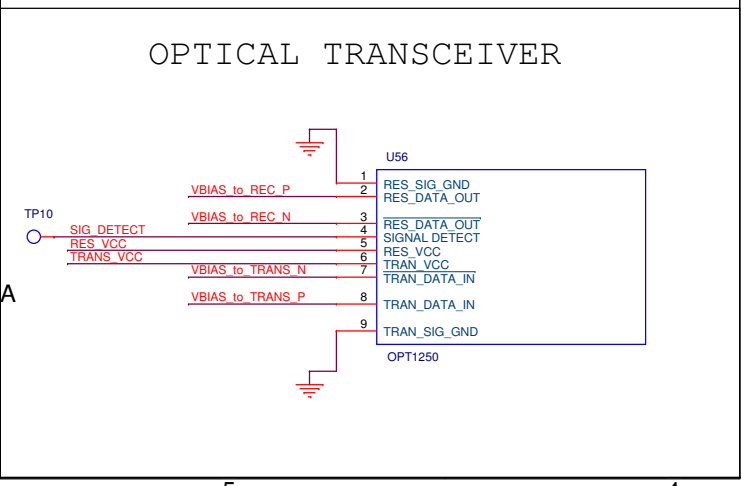
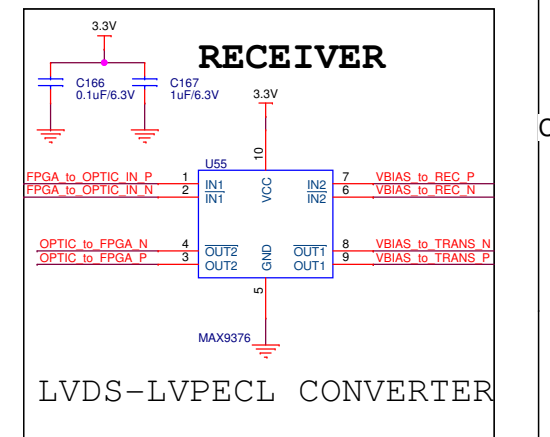


### BIASING CIRCUIT

**\*Note: Reciver bias must be placed next to the max9376 the Transmitter circuit must be placed next to the optical transceiver, this is due to a termination requirement.**



OPTICAL TRANSCIEVER		
Title	OPTICAL TRANSCIEVER	
Size	A3	Document Number
Rev	1	0.1
Date:	Wednesday, January 16, 2013	Sheet 18 of 20