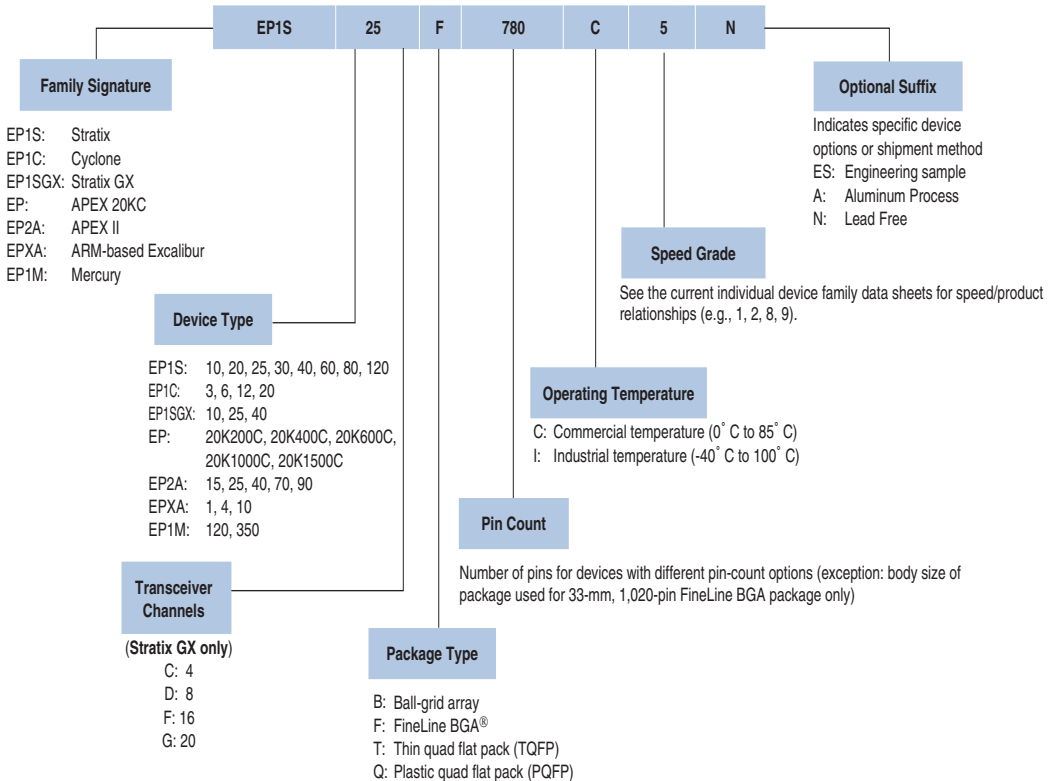


Altera Devices

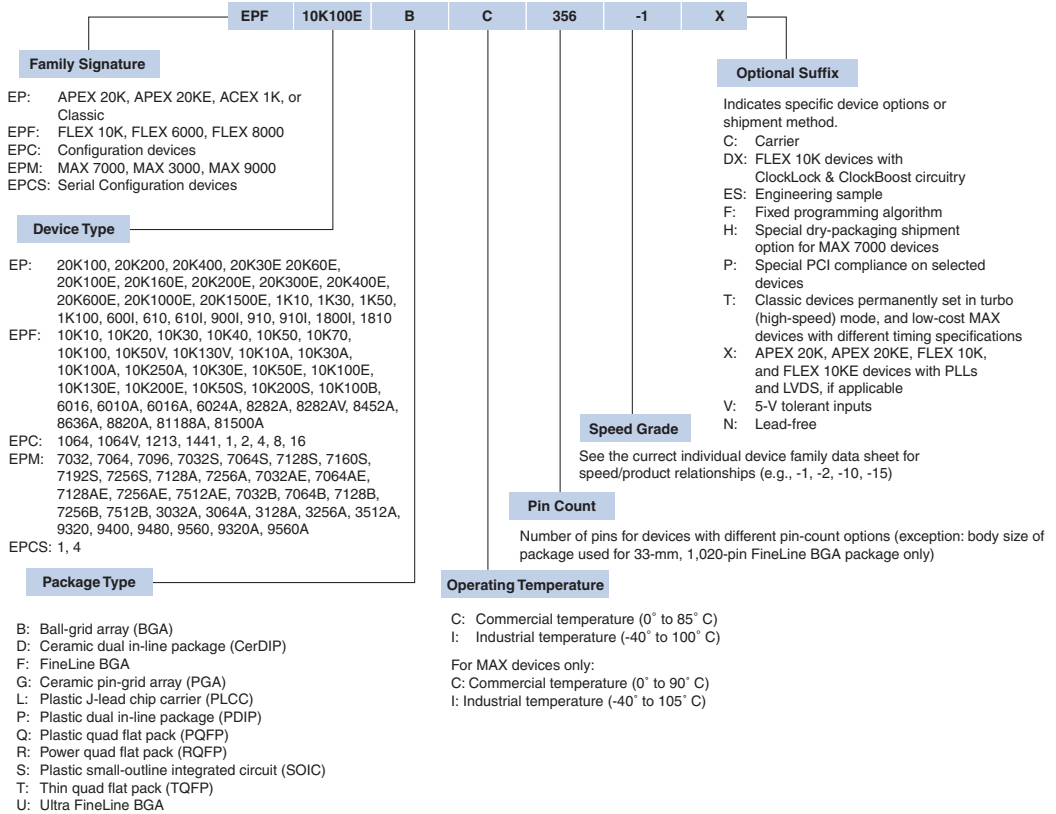
Figures 1 and Figures 2 explain the ordering codes for Altera® devices. Devices that have multiple pin counts for the same package include the pin count in their ordering codes. For information on specific package, speed grade, and operating temperature combinations, refer to the specific device family data sheet, or contact Altera Customer Marketing at (408) 544-7104.

Figure 1. Device Package Ordering Information for Stratix™, Stratix GX, Cyclone™, APEX™ 20KC, APEX II, Mercury™ & Excalibur™ Devices



Ordering Information

Figure 2. Device Package Ordering Information for APEX 20K, APEX 20KE, FLEX[®], ACEX[®], MAX[®], Classic[™] & Configuration Devices



Development Tools

The Altera Subscription Program offers the most recent versions of Altera's Quartus® II and MAX+PLUS® II software. An active subscription entitles you to the initial installation of the software, as well as all Altera development system updates and releases over the duration of the 12-month subscription period. As long as you have a valid subscription, you will automatically receive the latest versions of the Quartus II and MAX+PLUS II software, which will offer support for the latest Altera programmable logic devices (PLDs), new software features, performance enhancements, and the most current on-line and printed documentation. [Table 1](#) explains the ordering codes for the Altera Subscription Program. For information on specific products, contact Altera Customer Marketing at (408) 544-7104.

Table 1. Altera Subscription Program Product Line

Platform Support	Ordering Code	Description of Coverage
PC	FIXEDPC	Stand-alone, single-user license
	FLOATPC	Multiple-user network license (one concurrent user)
	ADD-FLOATPC	Add additional concurrent users to FLOATPC license
PC, Solaris, HP-UX	FLOATNET	Multiple-user network license (one concurrent user)
	ADD-FLOATNET	Add additional concurrent users to FLOATNET license
RedHat Linux	FLOATLNX	Multiple-user network license for the Quartus II software on the RedHat Linux platform
	ADD-FLOATLNX	Add additional network licenses for the Quartus II software on the RedHat Linux platform
Same as original subscription	RENEWAL	One-year extension for FIXEDPC, FLOATPC, FLOATNET, FLOATLNX, ADD-FLOATPC, ADD-FLOATNET, or ADD-FLOATLNX licenses

Intellectual Property

Altera offers a variety of MegaCore® functions for use with Altera devices for the following applications:

- PCI and bus interfaces
- Digital signal processing (DSP)
- Memory controllers
- Communications
- Processors & peripherals



For more information on these MegaCore functions visit the Altera web site at <http://www.altera.com/IPmegastore>.

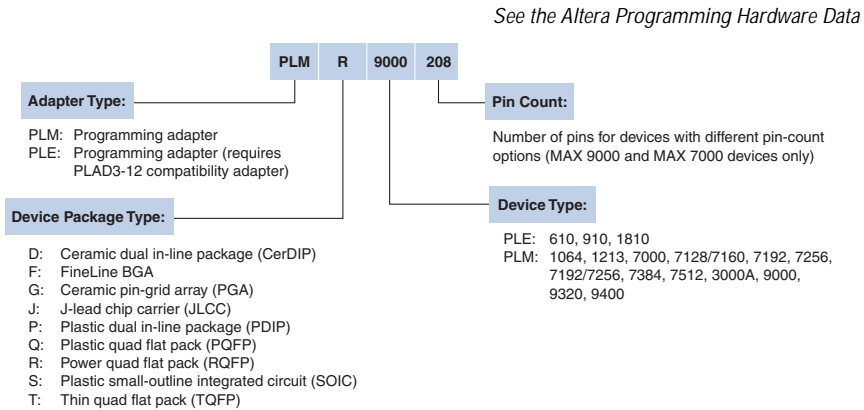
Programming Hardware

This section provides the ordering codes for Altera programming hardware and adapters. [Table 2](#) lists the ordering codes for the programming cards, cables, and programming units. For supported devices and adapters, see the [Altera Programming Hardware Data Sheet](#).

<i>Table 2. Programming Hardware</i>		
Product	Ordering Code	Description
Altera Programming Unit	PL-APU	With the appropriate adapter, programs Altera devices. Standard USB port hardware interface.
Compatibility Adapter	PLAD3-12	Interfaces PLE-prefix adapters to the APU. Together with the APU, directly programs 20-pin Classic devices.
ByteBlaster™ II Parallel Port Programming Cable	PL-BYTEBLASTER2	Interfaces with PCs. PC parallel-port cable for in-system programmable and in-circuit reconfigurable devices. The ByteBlaster II cable can program and configure 1.8-V, 2.5-V, 3.3-V, and 5.0-V devices. The ByteBlaster II cable also provides support for active serial programming of serial configuration devices.
ByteBlasterMV™ Parallel Port Download Cable	PL-BYTEBLASTERMV	Interfaces with PCs. PC parallel-port cable for in-system programmable and in-circuit reconfigurable devices. The ByteBlasterMV cable can program and configure 3.3-V, and 5.0-V devices.
MasterBlaster™ Serial/USB Communications Cable	PL-MASTERBLASTER	Interfaces with PCs and UNIX workstations. Standard serial or universal serial bus (USB) port hardware interface for in-system programmable and in-circuit reconfigurable devices.

Figure 3 explains the ordering codes for Altera programming adapters. Two types of adapters plug directly into the MPU and APU: PLM-prefix and PLAD3-12 adapters. Multiple pin-compatible devices use the same device type code shown in Figures 1 and Figures 2.

Figure 3. Programming Adapter Ordering Codes



101 Innovation Drive
San Jose, CA 95134
(408) 544-7000
<http://www.altera.com>
Applications Hotline:
(800) 800-EPLD
Customer Marketing:
(408) 544-7104
Literature Services:
lit_req@altera.com

Altera, The Programmable Solutions Company, the stylized Altera logo, specific device designations, and all other words and logos that are identified as trademarks and/or service marks are, unless noted otherwise, the trademarks and service marks of Altera Corporation in the U.S. and other countries. All other product or service names are the property of their respective holders. All rights reserved. Altera products are protected under numerous U.S. and foreign patents and pending applications, maskwork rights, and copyrights. Altera warrants performance of its semiconductor products to current specifications in accordance with Altera's standard warranty, but reserves the right to make changes to any products and services at any time without notice. Altera assumes no responsibility or liability arising out of the application or use of any information, product, or service described herein except as expressly agreed to in writing by Altera Corporation. Altera customers are advised to obtain the latest version of device specifications before relying on any published information and before placing orders for products or services. All rights reserved.

Copyright © 2003 Altera Corporation.



I.S. EN ISO 9001