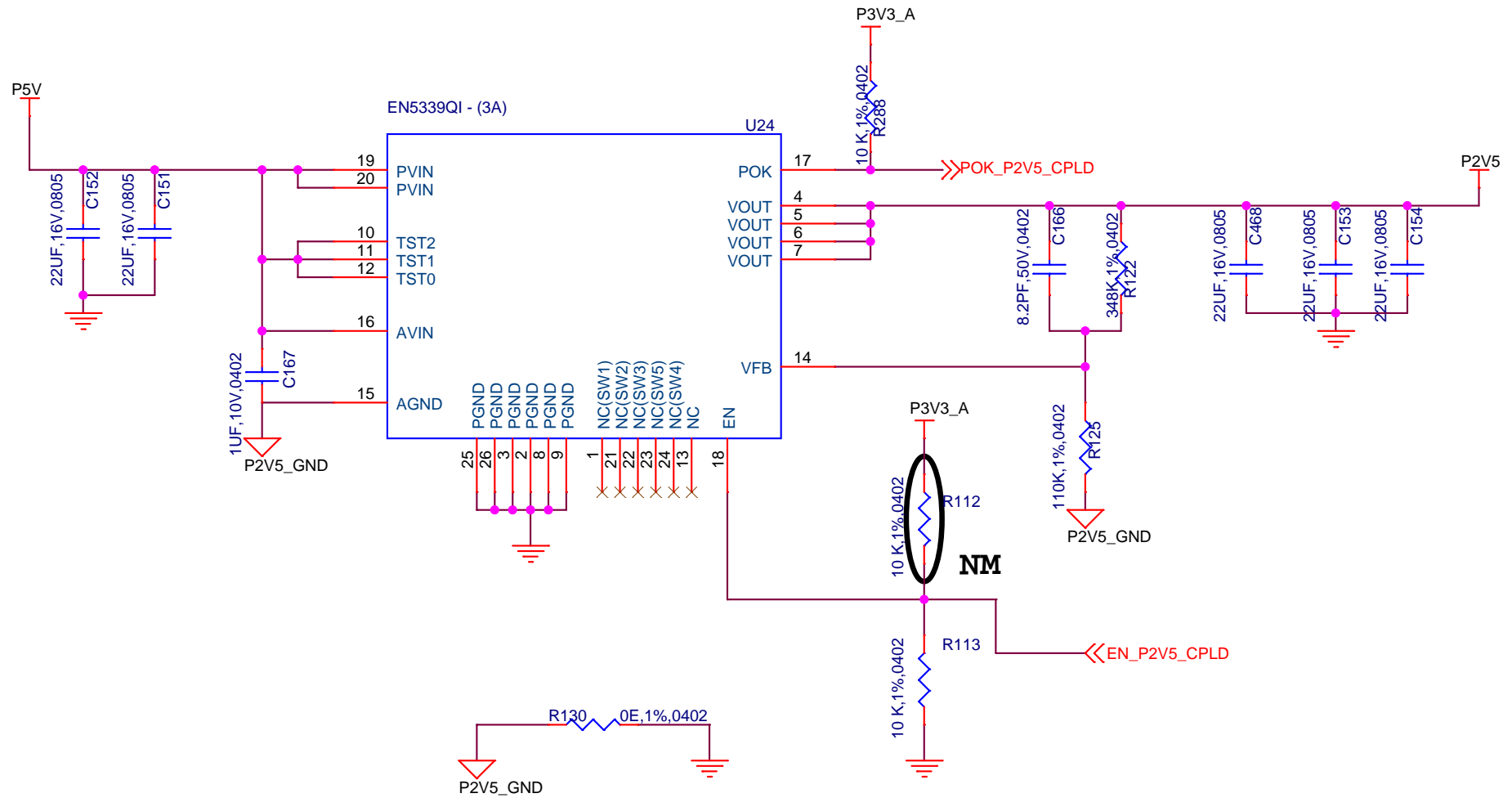


P2V5 (2.5V) Generation - (0.8A Required)



Title		
<Title>		
Size	Document Number	Rev
A	<Doc>	<RevCode>
Date:	Monday, July 22, 2019	Sheet 1 of 1