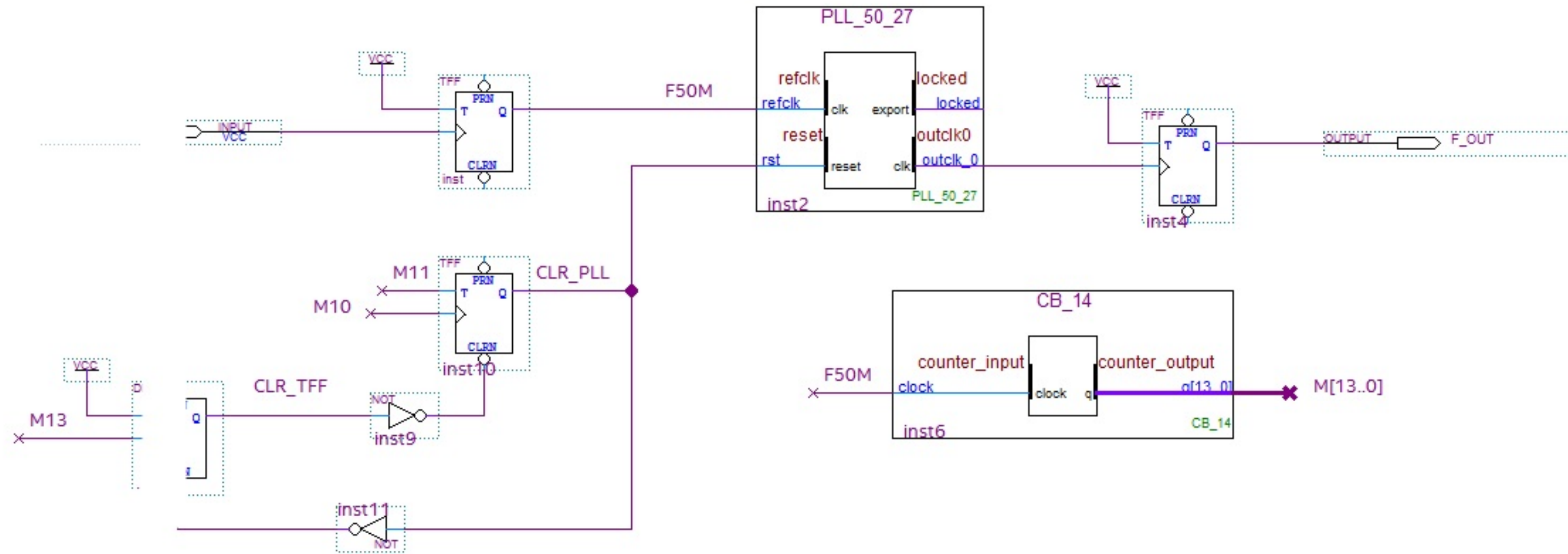
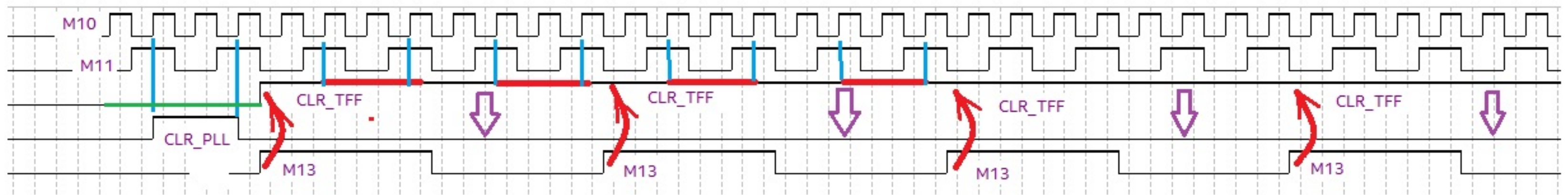


# TEST\_PLL\_2 .gar



**Signal RESET PLL is formed only once (when the project is configured)**



### Compilation Flow

50%	Compile Design	00:03:27
✓	IP Generation	00:00:32
✓	Analysis & Synthesis	00:00:17
50%	Fitter	00:02:38
	Fitter (Implement)	
✓	Plan	00:00:38
	Early Place	
✓	Place	00:00:33
	Route	00:00:00
0%	Fitter (Finalize)	00:00:00
0%	TimeQuest Timing Analysis (Signoff)	00:00:00
	Power Analysis	
0%	Assembler (Generate programming files)	00:00:00
	EDA Netlist Writer	

**Quartus Prime Problem Report**

**Sorry!**  
The Quartus Prime software quit unexpectedly.

Help us fix the problem by telling us what happened:

What happened? (optional)

[Search for a solution](#)    [Submit a service request](#)

[Privacy policy](#)    [Send to Intel](#)    [Cancel](#)

```

0x2f132: DCALC_TIMING_NETLIST_MANAGER_IMPL::l
0x30028: DCALC_TIMING_NETLIST_MANAGER::load_t
0x4d460: PTI_PHYSICAL_TIMING_API::lazy_load_n
0x48035: tbb::internal::do_iteration_task_ite
0x1c1f3: tbb::internal::custom_scheduler<tbb:
0x47e97: tbb::internal::do_group_task_forward
0x1c1f3: tbb::internal::custom_scheduler<tbb:
0x19afe: tbb::internal::arena::process + 0x18
0x16867: tbb::internal::market::process + 0xf
0x10eac: tbb::internal::rml::private_worker:::
0x1111a: tbb::internal::rml::private_worker:::
0x24f7e: _beginthreadex + 0x106 (MSVCR120)
0x25125: _endthreadex + 0x191 (MSVCR120)
0x1556c: BaseThreadInitThunk + 0xc (kernel32)
0x5372c: RtlUserThreadStart + 0x1c (ntdll)
                
```

End-trace

Executable: quartus\_fit  
Comment:  
None

**System Information**  
Platform: windows64  
OS name: Windows 7  
OS version: 6.1

**Quartus Prime Information**  
Address bits: 64  
Version: 17.1.0  
Build: 240  
Edition: Pro Edition