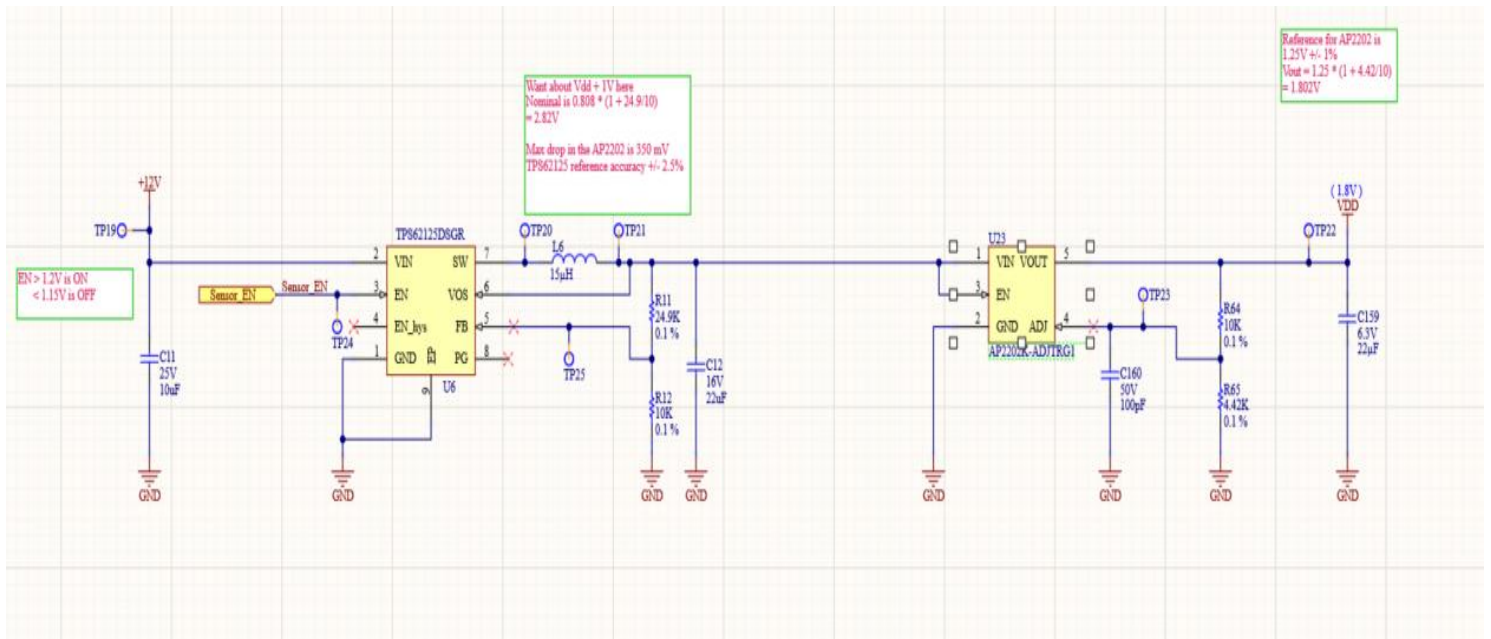


1.8V voltage rail to Cyclone V FPGA



Generating 1.8V for the FPGA