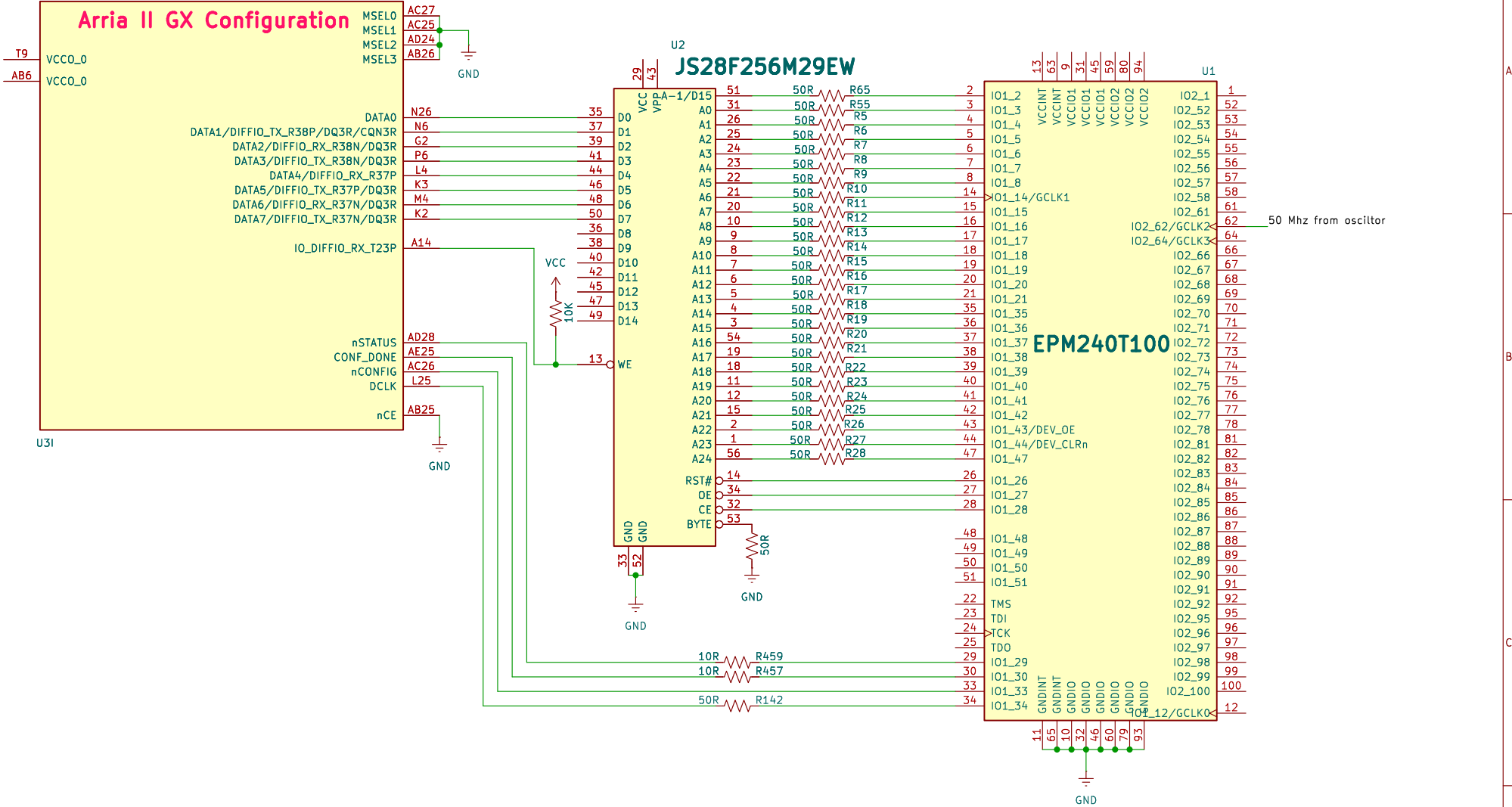


# EP2AGX190FF3515

## Arria II GX Configuration



Sheet: /	
File: sungsang_kicad.kicad_sch	
<b>Title:</b>	
Size: A4	Date:
KiCad E.D.A. 8.0.1	Rev: Id: 1/1