

ADC Channel A

ADC_SCLK 6,12
 ADC_SDATA 4,12
 ADC_A_SEN 5

ADC_A_CLK_P 3
 ADC_A_CLK_N 3

ADC_A_OE 4
 ADC_A_OVR 5
 ADC_RESET 6,12

ADC_A_DCLK 3
 ADC_A_D13_D0 3,5,10

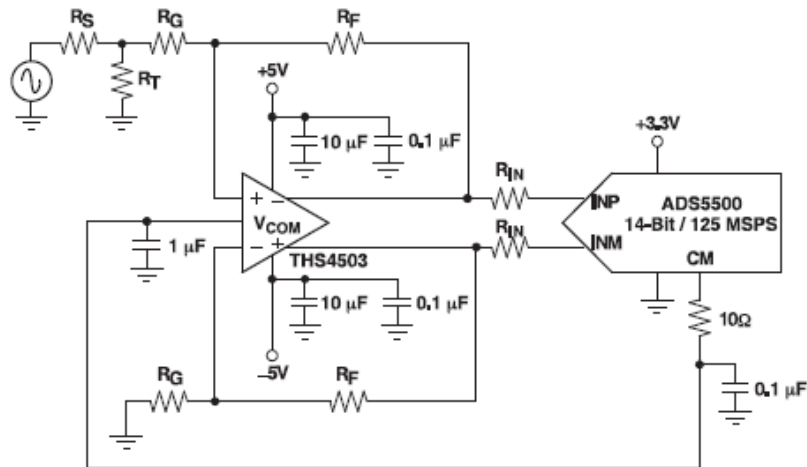
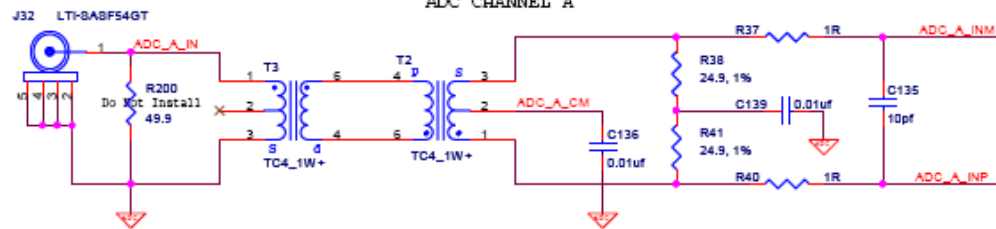
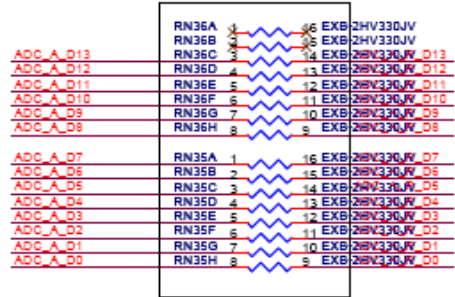


Figure 44. Using the THS4503 With the ADS5500

